



toasters

woodson[®]
PROFESSIONAL FOOD SERVICE EQUIPMENT

vertical toaster

MODEL: WTOV5 & WTOV6

APPLICATIONS

- Ideal for the toasting of bread and similar products

CAPACITY GUIDE

- Option of 5 or 6 slice models
- Suits 135mm x 120mm slices
- Wide toasting slots take product up to 20mm thick

STANDARD FEATURES

- Switch allows user the choice of 2, 4 or all slice operation
- Stainless steel construction
- Operates with element timer
- Toast stays warm ready for lift-up
- Easy-clean removable crumb tray
- Heavy duty commercial elements for durability and long life
- Supplied with chrome wire guides to locate bread in correct position

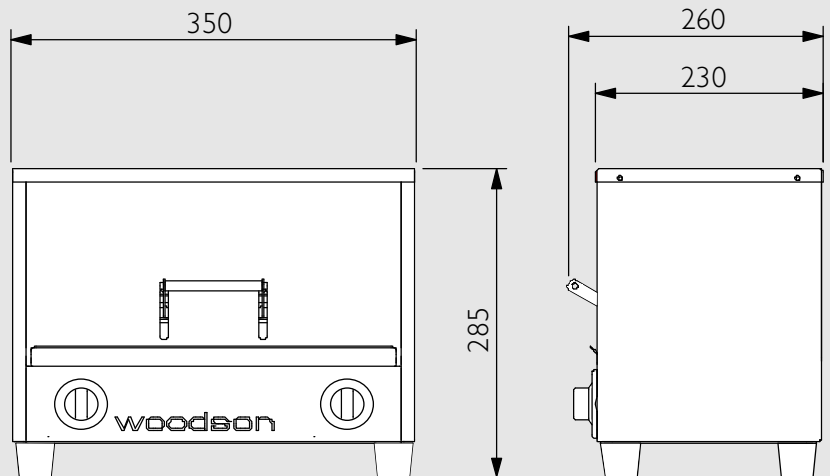


WTOV6 model shown

WTOV5/6

WTOV5 - 5 slices 10 amp model
Kw 2.4 W 350 D 270 H 285

WTOV6 - 6 slice 15 amp model
Kw 3.6 W 350 D 270 H 285



We reserve the right to alter specifications of products without notice

Dealer:

For details of your local dealer contact:

QLD, NT, WA, International
ph 07 3344 2444 fax 07 3345 6403
email fse@stoddart.com.au

NSW, ACT
ph 02 9817 7700 fax 02 9817 7800
email gladesville@stoddart.com.au

VIC, SA, TAS
ph 03 9543 9922 fax 03 9543 9944
email melbourne@stoddart.com.au

Manufactured by: Tom Stoddart Pty Ltd, 215 Jackson Road Sunnybank Hills, Qld 4109 Australia